

GENERAL

Measuring and protection transformers. Wound primary, bus-bar, split core and narrow profile transformers
For cable or bus-bar.
Plastic or resin encapsulated casing (depending on type).
With fixing support and/or bar enclosing screws depending on type.
Fixing to DIN rail (on request)

STANDARDS

IEC 185
UNE EN 61869 (IEC 61869)
VDE 0414
IEC 801/1-3.4
DIN 57414
BS 3938
EN 50081
EN 50082
IEC 1010

GENERAL TECHNICAL SPECIFICATIONS

| | |
|----------------------------------|--|
| Security factor | $F_s < 5$ |
| Rated voltage (maximum) | 720 V |
| Test voltage | 3 kV A.C. (1 min) |
| Frequency | 50-60 Hz |
| Rated short-time thermal current | $I_{th} = 60 I_n$ for wound primary transformers. I_{th} limited by cable sizes or primary bus-bar for other cases. |
| Rated dynamic current | $I_{Dyn} = 2,5 \times I_{th}$ |
| Continuous overload | $I_D = 1,2 \times I_N$ |
| Operating temperature | -10...50 °C. |
| Accuracy | 0,5 ; 1 and 3 (0,2S, 0,5S on request) |
| Rated secondary current | /5 or /1 A |
| Insulation class | Class E Class B (130 °C) Available |

SUMMATION CURRENT TRANSFORMERS (ENCAPSULATED IN RESIN)

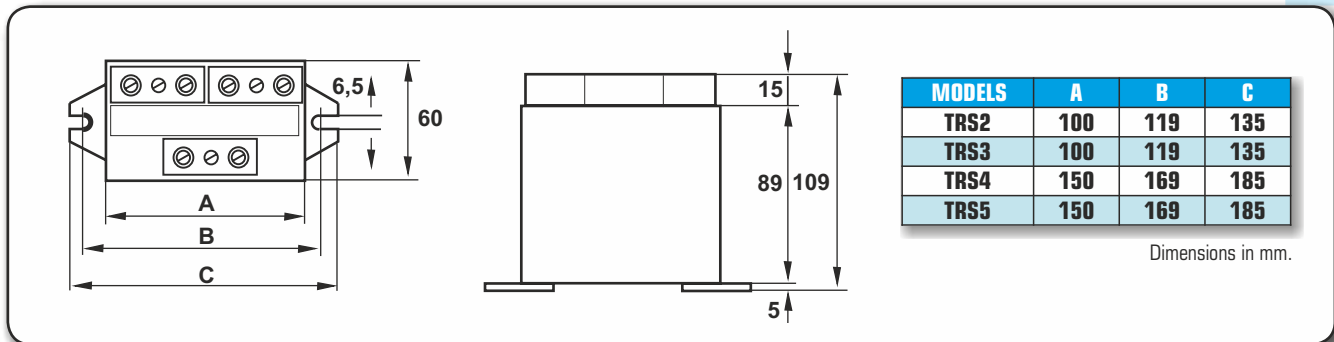
TRS-



| SUMMATION CURRENT TRANSFORMERS | | | | |
|--------------------------------|---------|-----------|-------------|---------------|
| MODEL | TRS2 | TRS3 | TRS4 | TRS5 |
| Accuracy | 0,5 | 0,5 | 0,5 | 0,5 |
| VA | 10 | 10 | 10 | 10 |
| I _{pn} | 5+5 / 5 | 5+5+5 / 5 | 5+5+5+5 / 5 | 5+5+5+5+5 / 5 |

In this transformers, the secondary current is the vectorial addition of primary currents.

DIMENSIONS



VOLTAGE TRANSFORMERS (ENCAPSULATED IN RESIN)

TE15R



| MODEL | | TE15R |
|-----------------|-------------------|-------|
| Accuracy Class | | 1 |
| Primary voltage | Secondary voltage | VA |
| 440 | 230 | 25 |
| 440 | 110 | 25 |
| 440 | 100 | 25 |
| 400 | 230 | 25 |
| 400 | 110 | 25 |
| 400 | 100 | 25 |
| 230 | 110 | 25 |

Operating range: 80 – 120 % V_{pn}
 Load: 25 - 100 % (cos φ = 0,8)

DIMENSIONS

